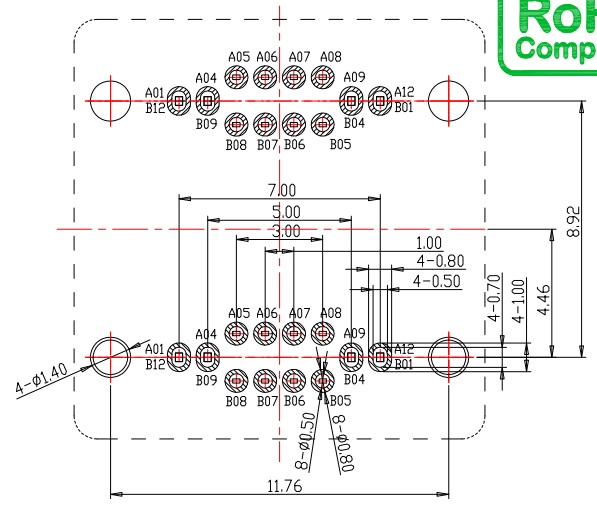




SBC-320VH-20x-S412

鍍層厚度:

Blank : 1u"
2 : 15u"
3 : 30u"



RECOMMEND P.C.B LAYOUT

SPECIFICATIONS

Electrical:

- 1.Rating: 3.0A
- 2.Dielectric Withstand Voltage: 150V AC
- 3.Contact Resistance: 30 mΩ Max
- 4.Insulation Resistance: 100 MΩ Min

Mechanical:

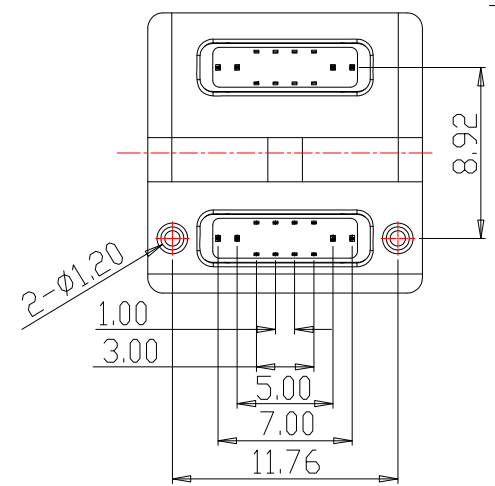
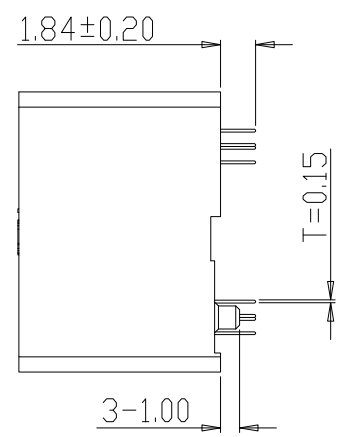
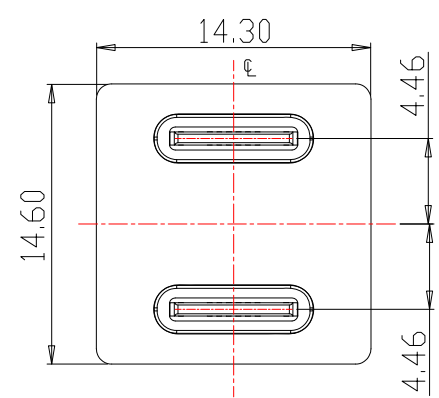
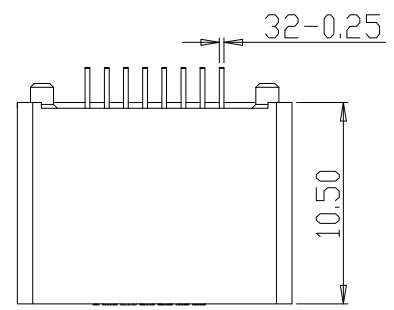
- 1.Connector Mate and Unmate Force
 - 1.1 Mate force: 5~20 N
 - 1.2 Unmate force: 8~20 N

Material:

- 1.Housing: LCP
- 2.Contact: C7025
- 3.Shell: SUS

Finish:

- 1.Contact: Plated Gold in Mating Area ;
Tin Plated on Solder Balls ;
Nickel under plated overall
- 2.Shell: Nickel under Plated surface layer



Type c pin Def:

A1	GND	B12	GND
A4	VBUS	B9	VBUS
A5	CC1	B8	SBU2
A6	D+	B7	D-
A7	D-	B6	D+
A8	SBU1	B5	CC2
A9	VBUS	B4	VBUS
A12	GND	B1	GND
PIN	SIGNAL NAME	PIN	SIGNAL NAME



TOLERANCE UNLESS OTHERWISE STATED:
 Up to 5 ±0.2
 Above 5 ~ 15 ±0.3
 Above 15 ~ 30 ±0.4
 Above 30 ~ 50 ±0.5
 Angle ±0.3°

3RD. ANGEL'S

UNITS MM

DRAWN BY:	DATE	MAT'L	TITLE	CONNECTOR
Jack Lu	06/15/23	FINISH	MODLE	TYPE-C +Type c 16pin 二合一母座 H=10.5
CHECKED BY:	DATE	SCALE	DWG NO.	SBC-320VH-20x-S412
Jacky Chen	06/15/23	1 : 1	PART NO.	SBC-320VH-20x-S412
APPROVED BY:	DATE	SHEET NO.	1 of 1	
Tony Kao	06/15/23			
		SIZE	A4	
		VER	R1	

ITEM NO.	DESCRIPTION	DRAWN	DATE
1	删除LOGO	Jack	061523